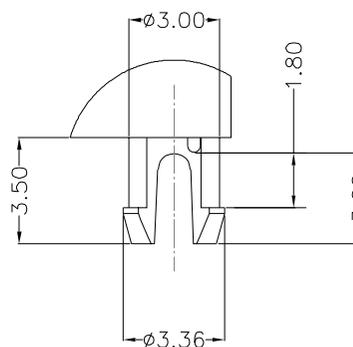
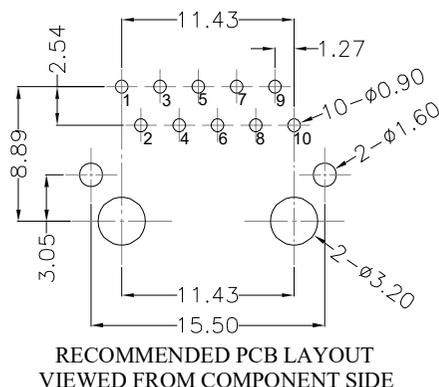
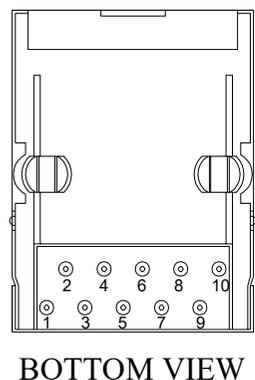
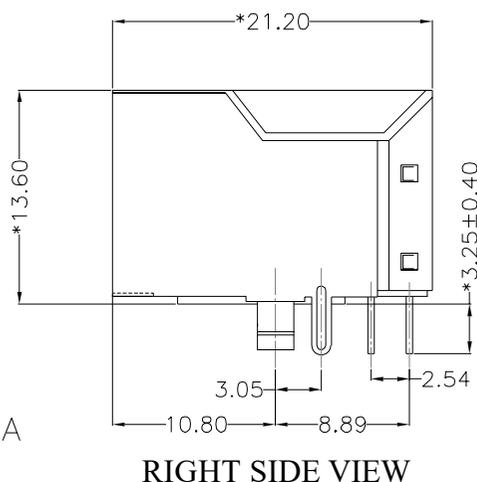
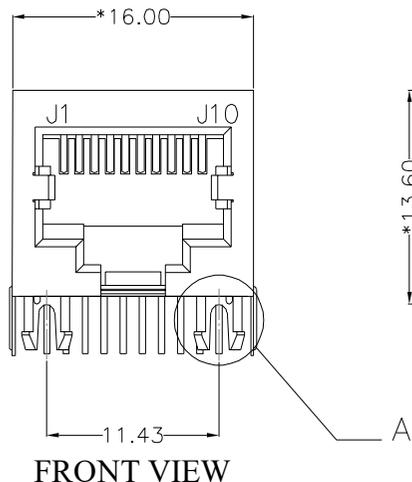


REACH & RoHS  
COMPLIANT

REV.	ECN / DESCRIPTION	BY	DATE
A0	NEW	ZG.Hu	2016.10.19



**MATERIAL:**

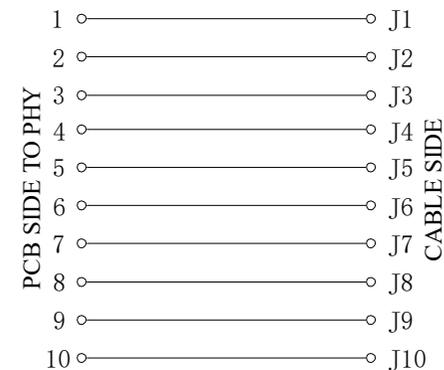
HOUSING: PBT,UL94V-0,BLACK.  
TERMINAL: PHOSPHOR BRONZE  $\phi=0.46\text{MM}$ ,  
6U" GOLD PLATING.  
SHIELD: C2680,T=0.20MM,20 MIN NICKEL PLATING  
ON ALL AREA.

**MACHANICAL:**

DURABILITY: 750 CYCLES MIN,12.5MM/MINUTE.  
INSERTION FORCE: 2.2KG.F MAX.  
RETENTION STRENGTH : 7.7KG.F BETWEEN JACK AND PLUG.  
OPERATING TEMPERATURE:  $-40^{\circ}\text{C}\sim+85^{\circ}\text{C}$ .  
STORAGE TEMPERATURE:  $-40^{\circ}\text{C}\sim+85^{\circ}\text{C}$ .  
ALL CRITICAL DIMENSIONS WITH "\*"

**ELECTRICAL:**

VOLTAGE: 125 VOLTS AC.  
CURRENT RATING : 1.5AMP.  
DIELECTRIC STRENGTH: 1000 VAC RMS 50HZ OR 60HZ,1MIN.  
INSULATION RESISTANCE: 500 MEGA OHMS MIN. INITIAL  
AFTER 500V DC FOR 1 MINUTE.  
CONTACT RESISTANCE: SINGLE TERMINAL 30 MILLIOHMS MAX.  
INITIAL 50 MILLIOHMS MAX. AFTER  
DURABILITY TEST.



**DGKYD**

东莞市科优达电子科技有限公司  
Dong Guan Ke You Da Electronic Tech.Co.,Ltd

ADD : No.1 LiHe Street,LiHeng Village,Qingxi town, DongGuan City,GuangDong Province  
Tel:+86-0769-87334608; Fax:+86-0769-87847129 WWW.DGKYD.COM

TITLE:  
5921 1X1 10P10C 带屏蔽

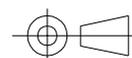
PART NO.:  
DGKYD59211111GWA1DY4

REMARK:

SIZE  
A4

SACLE  
1:1

SHEET  
1/1



UNITS  
MM[INCH]

GENERAL TOLERANCES UNLESS SPECIFIED	
$x\pm 0.35$	$x^{\circ}\pm 3.0^{\circ}$
$.x\pm 0.30$	$.x^{\circ}\pm 2.0^{\circ}$
$.xx\pm 0.25$	$.xx^{\circ}\pm 1.5^{\circ}$
$.xxx\pm 0.10$	$.xxx^{\circ}\pm 1.0^{\circ}$

APPROVED BY:  
JP.Gong

CHECKED BY:  
TW.Xu

DESIGND BY:  
ZG.Hu